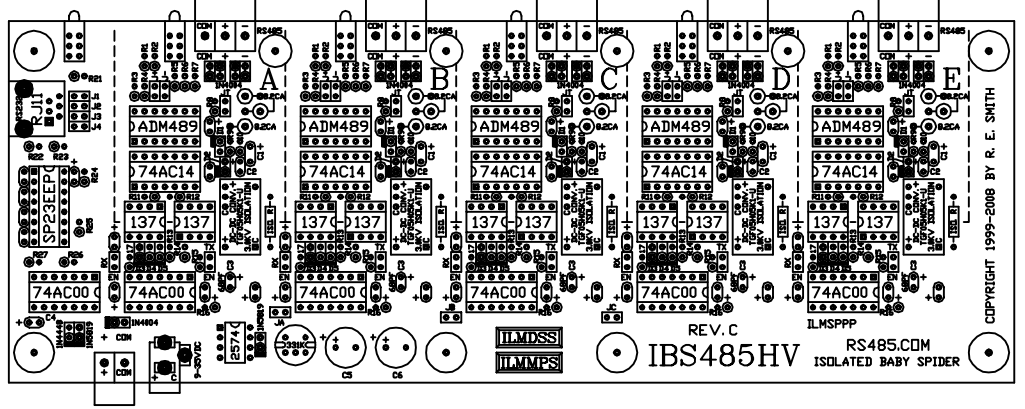


ISO-CELLS A-E

OPERATING TEMP.
-40C TO +85C

JUMPER INSTALLED
(FACTORY SETTING)
BOARD SIZE: 10.10" X 3.65"



- NOTES: (CHANGES FROM IBS485)
- 1) NO SPLIT BIAS (NOW 620-OHM PULL-UP, PULL-DOWN)
 - 2) 3.0KV ISOLATION (1 SEC.)
 - 3) OPERATING TEMP. -40/+85C
 - 4) RS232 PORT ON RJ-12
 - 5) IMPROVED TIMING AND GLITCH ELIMINATION
 - 6) ADDITIONAL LEDs for ISOLATED POWER and RS232 TX/RX, POWER
 - 7) IMPROVED DIFFERENTIAL TRANSIENT PROTECTION
 - 8) SAME CONNECTORS AND PIN-OUT

RESsmith
WWW.RS485.COM
10330 CHESTER ROAD, CINCINNATI, OHIO 45215
513-874-4796

MODEL REV. A1/B/C
IBS485HV
MULTIPLE ISOLATION
3000VDC FOR 1 SEC.

5-CHANNEL 3.0KV ISOLATED REPEATER
WITH BUILT-IN RS232 CONVERTER

This drawing is the property of R. E. SMITH and shall not be used except with the written permission of R. E. SMITH, no copies shall be made of it and all proprietary rights in the matter contained in this drawing are the property of R. E. SMITH. COPYRIGHT - R. E. SMITH, 1999-2008	DRAWN BY RES	SUBJECT ISO, COM, SPIDER	
	DATE 3-14-06 (RVC-9-12-08)	FOR 3000VDC ISOLATED	
SHEET 1 OF 1	CHKD. BY RES	RES R. E. SMITH 4311 R. E. SMITH DRIVE HAMILTON, OHIO 45011	DWG. NO. IBS485HV
IBS485			REV. C