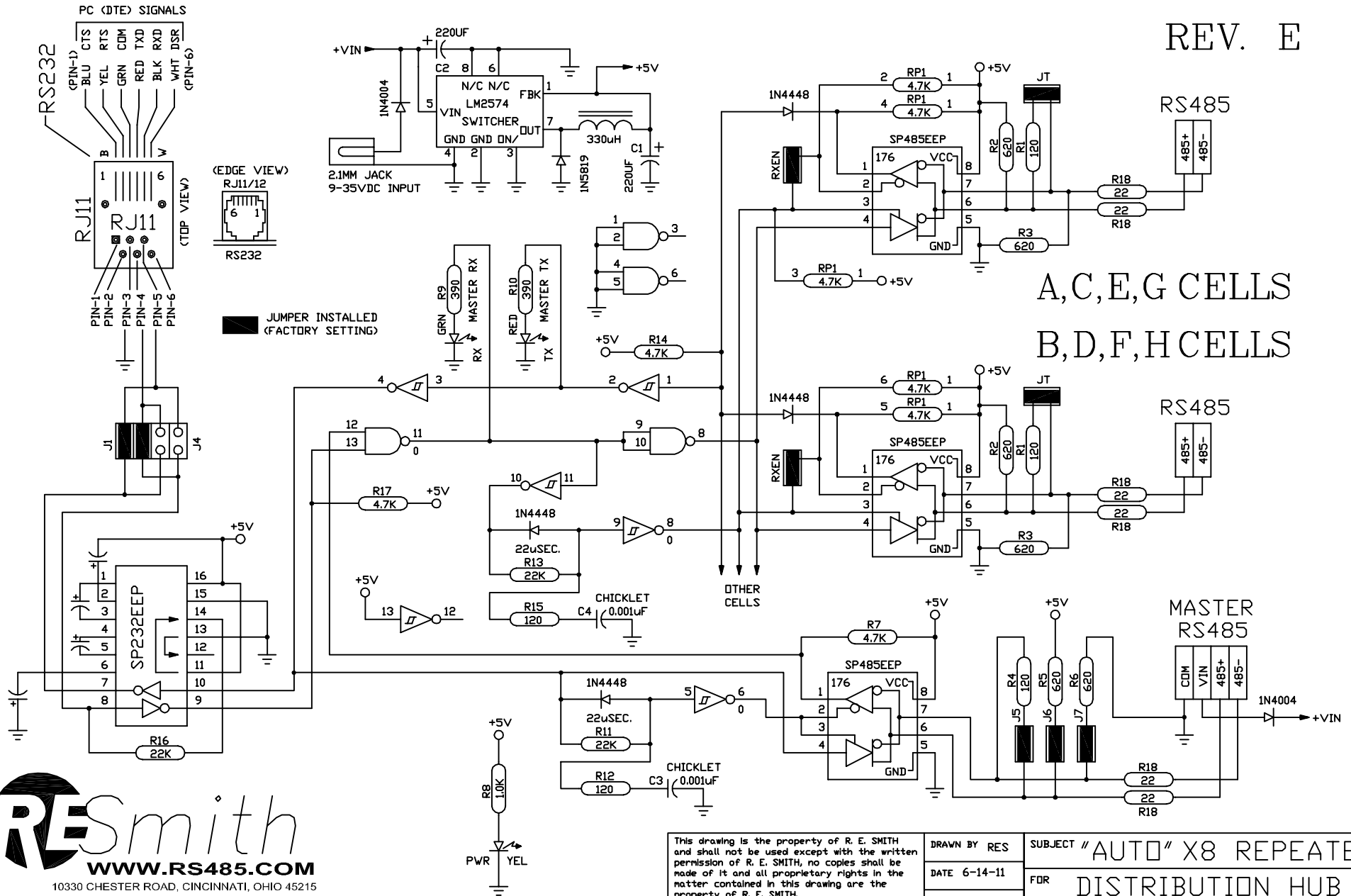


MODEL MHUBX8 NON-ISOLATED REPEATER HUB

RS232/RS485 MASTER PORTS & 8 RS485 DISTRIBUTION PORTS

REV. E



This drawing is the property of R. E. SMITH and shall not be used except with the written permission of R. E. SMITH. No copies shall be made of it and all proprietary rights in the matter contained in this drawing are the property of R. E. SMITH.

CDPYRIGHT - R. E. SMITH, 2001-2011

SHEET 1 OF 1

MHUBX8

DRAWN BY RES

DATE 6-14-11

SCALE NONE

CHKD. BY RES

SUBJECT "AUTO" X8 REPEATER

FOR DISTRIBUTION HUB

RES R. E. SMITH
4311 R. E. SMITH DRIVE
HAMILTON, OHIO 45011

DWG. NO.
MHUBX8

REV.
E