

MODEL MHUBX8 NON-ISOLATED REPEATER HUB

RS232/RS485 MASTER PORTS & 8 RS485 DISTRIBUTION PORTS

GENERAL INFORMATION:

THE MHUBX8 IS AN 8-PORT RS485 REPEATER HUB WITH A MASTER RS232/RS485 PORT. DATA RECEIVED BY THE MASTER PORT IS TRANSMITTED TO THE EIGHT DISTRIBUTION PORTS (CHA THRU CHH). DATA RECEIVED AT ONE OF THESE PORTS (CHX) IS TRANSMITTED OUT OF THE MASTER PORT. DATA IS NOT TRANSFERRED FROM ONE DISTRIBUTION PORT TO ANOTHER. "CHX" RS485 PORTS HAVE A TERMINATION JUMPER AND AN RXEN JUMPER. BIAS IS FIXED WITH 620 OHMS OF PULL-UP AND PULL-DOWN RESISTANCE. UNITS CAN BE CASCADED IN VARIOUS WAYS TO FORM LARGE NETWORKS. THE HUB WILL SUPPORT UP TO 32 FULL-LOAD RS485 DEVICES ON EACH PORT. ADDITIONAL NODES CAN BE ADDED, USING 1/2 AND 1/4 LOAD DEVICES. THE SP485EEP TRANCEIVER IC HAS BUILT-IN TRANSIENT PROTECTION AND SUPPORTS HIGH DATA RATES. THE HUB CAN BE CONNECTED TO 8 "HOME RUN" DEVICES WITH PROPER TERMINATION AND BIAS FOR DISTANCES UP TO 4000 FT. TWO "HOME RUN" DEVICES CAN BE CONNECTED TO ONE PORT BY REMOVING THE TERMINATION JUMPER ON THAT PORT. AS LONG AS THE "END TO END" DISTANCE OF THE TWO "HOME RUN" DEVICES IS LESS THAN 4000FT., THE RS485 DISTANCE SPECIFICATION IS NOT VIOLATED. PROPER TERMINATION CAN BE APPLIED TO EACH END OF THE DUAL "HOME-RUN" NETWORK. BIAS IS PROVIDED "NEAR THE MIDDLE" OF THE NETWORK BY THE MHUBX8 REPEATER. THIS WILL ALLOW UP TO 16 "HOME RUN" UNITS TO BE CONNECTED TO THE HUB, WITHOUT ANY RS485 VIOLATIONS. THE UNIT WILL OPERATE FROM 9-35VDC.

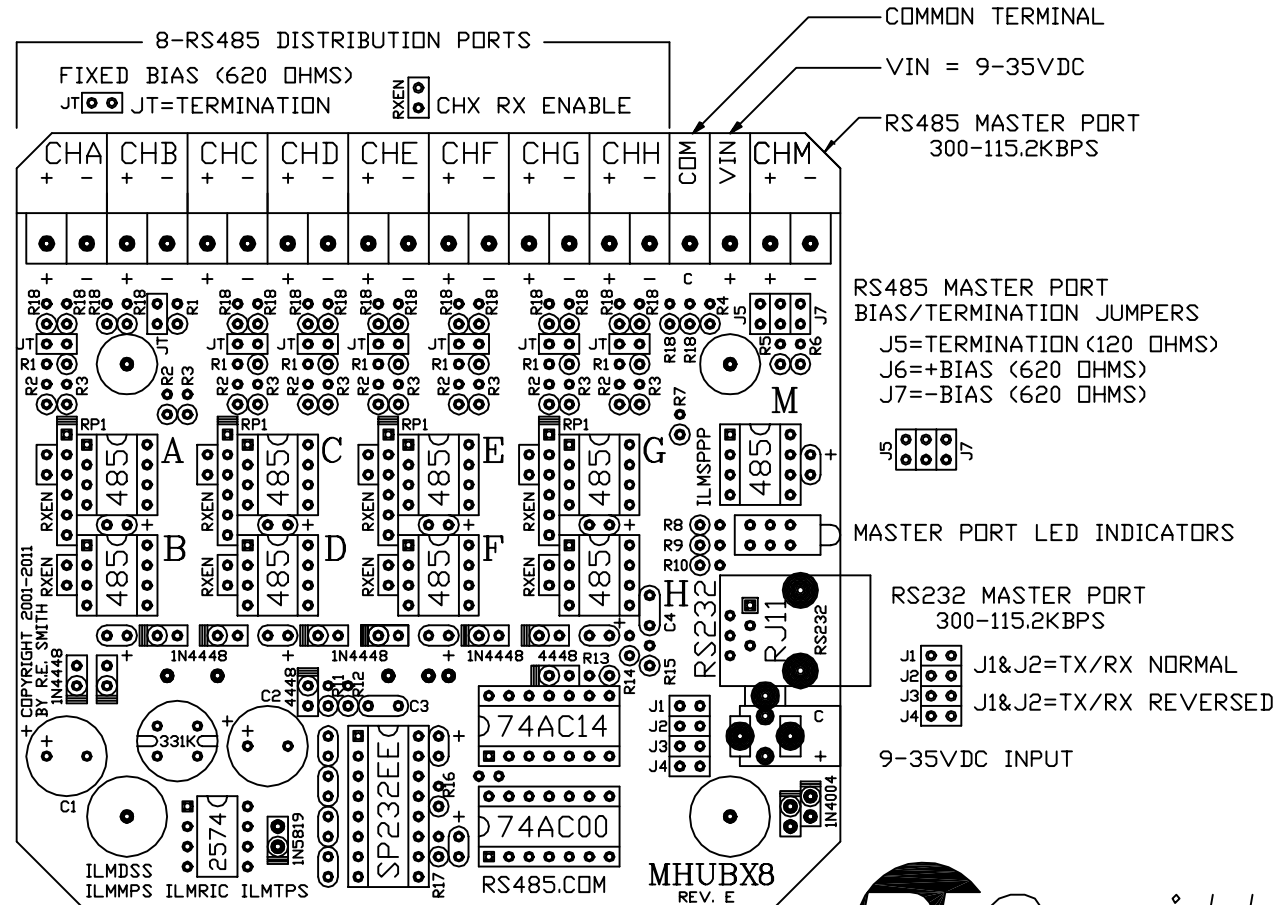
NOTES: REV E UNITS WILL OPERATE AT DATA RATES UP TO 10Mbps; HOWEVER, THE RS232 PORT IS LIMITED TO 115.2Kbps

REV B-E UNITS HAVE IMPROVED TIMING.

www.rs485.com

SPECIAL NOTE:
RS485 OPERATION UP TO 10Mbps FOR REV E UNITS (RS232 LIMITED TO 115.2K)

REV. E



BOARD SIZE = 4.10" X 3.85"

OPERATING TEMP RANGE: -40C TO 85C

RELATIVE HUMIDITY: 10% TO 90% NON-CONDENSING

INPUT VOLTAGE RANGE: 9-35VDC (MAX POWER 2.5W)

RESsmith
www.rs485.com
 10330 CHESTER ROAD, CINCINNATI, OHIO 45215
 513-874-4796

This drawing is the property of R. E. SMITH and shall not be used except with the written permission of R. E. SMITH, no copies shall be made of it and all proprietary rights in the matter contained in this drawing are the property of R. E. SMITH. COPYRIGHT - R. E. SMITH, 2001-2011		DRAWN BY RES	SUBJECT MHUBX8 RS485 HUB
SHEET 1 OF 1		DATE 6-14-11	FOR PHYSICAL DRAWING
MHUBX8SS		SCALE NONE	RES R. E. SMITH 431 TYLERSVILLE RD. HAMILTON, OHIO 45011
CHKD. BY RES		DWG. NO. MHUBX8SS	REV. E