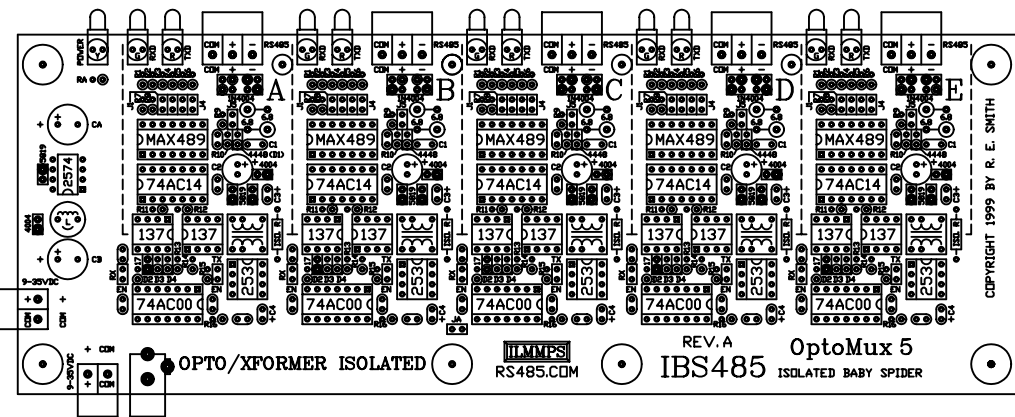


COMPONENT SIDE

BOARD SIZE: 10.10" X 3.65"



MODEL IBS485

DUAL ISOLATION
1500VDC FOR 1 SEC.

R. E. SMITH
4311 TYLERSVILLE ROAD
HAMILTON, OHIO 45011
513-874-4796

www.rs485.com

■ JUMPER INSTALLED
(FACTORY SETTING)

This drawing is the property of R. E. SMITH and shall not be used except with the written permission of R. E. SMITH, no copies shall be made of it and all proprietary rights in the matter contained in this drawing are the property of R. E. SMITH. COPYRIGHT - R. E. SMITH, 1999		DRAWN BY RES	SUBJECT ISO. COM. SPIDER
DATE 7-27-99		FOR 1500VDC ISOLATED	
SCALE NONE		RES R. E. SMITH 4311 TYLERSVILLE RD. HAMILTON, OHIO 45011	DWG. NO. IBS485
SHEET 1 OF 1	IBS485	CHKD. BY RES	REV. A2