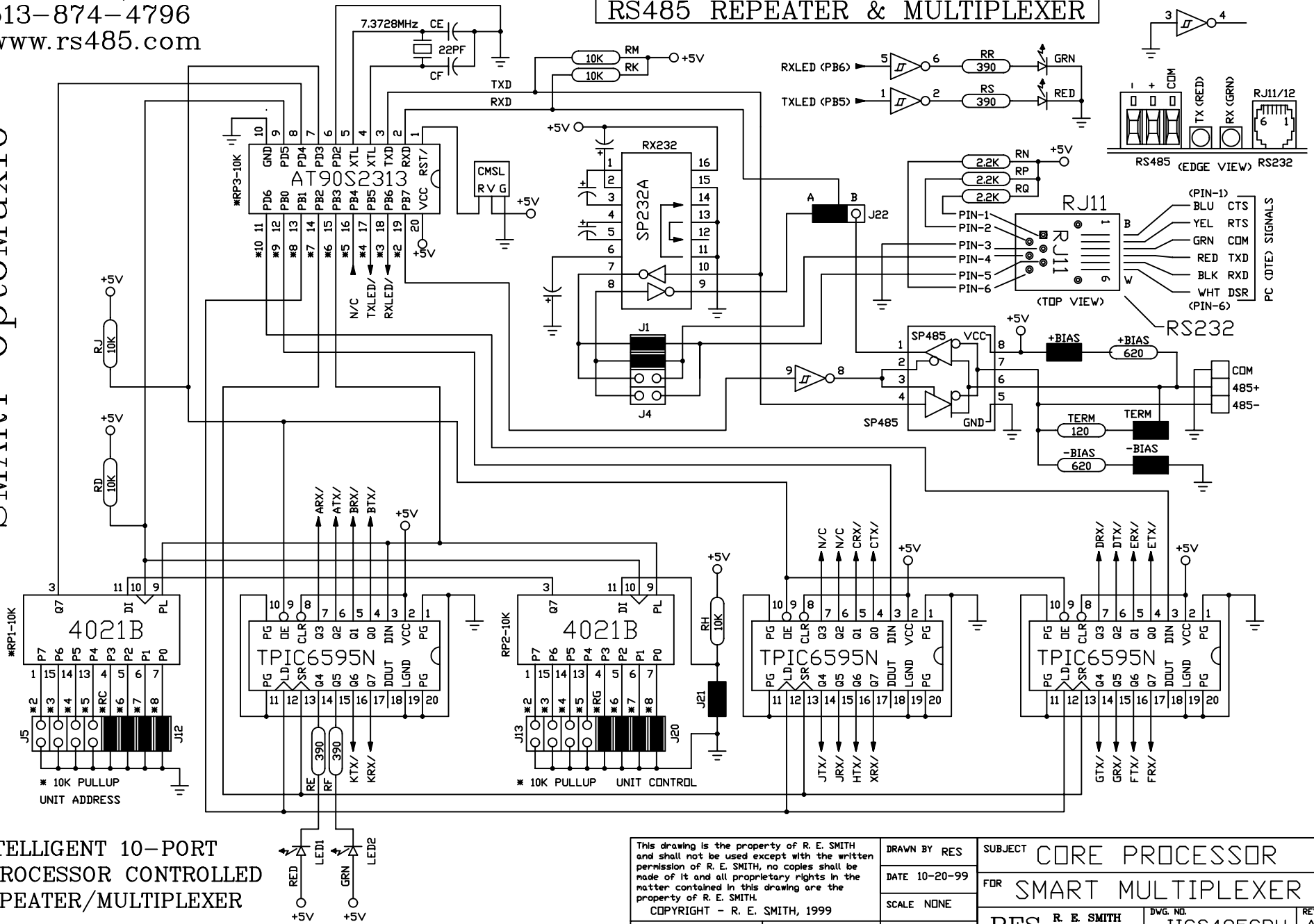


R. E. SMITH
 4311 TYLERSVILLE ROAD
 HAMILTON, OHIO 45011
 513-874-4796
 www.rs485.com

MODEL IICS485

10 PORT COMMUNICATIONS SPIDER RS485 REPEATER & MULTIPLEXER

SMART OptoMux10



INTELLIGENT 10-PORT
 uPROCESSOR CONTROLLED
 REPEATER/MULTIPLEXER

This drawing is the property of R. E. SMITH and shall not be used except with the written permission of R. E. SMITH, no copies shall be made of it and all proprietary rights in the matter contained in this drawing are the property of R. E. SMITH. COPYRIGHT - R. E. SMITH, 1999		DRAWN BY RES	SUBJECT CORE PROCESSOR	
SHEET 1 OF 1		DATE 10-20-99	FOR SMART MULTIPLEXER	
IICS485CPU		SCALE NONE	R. E. SMITH 4311 TYLERSVILLE RD. HAMILTON, OHIO 45011	
CHKD. BY RES		DWG. NO. IICS485CPU		REV. A