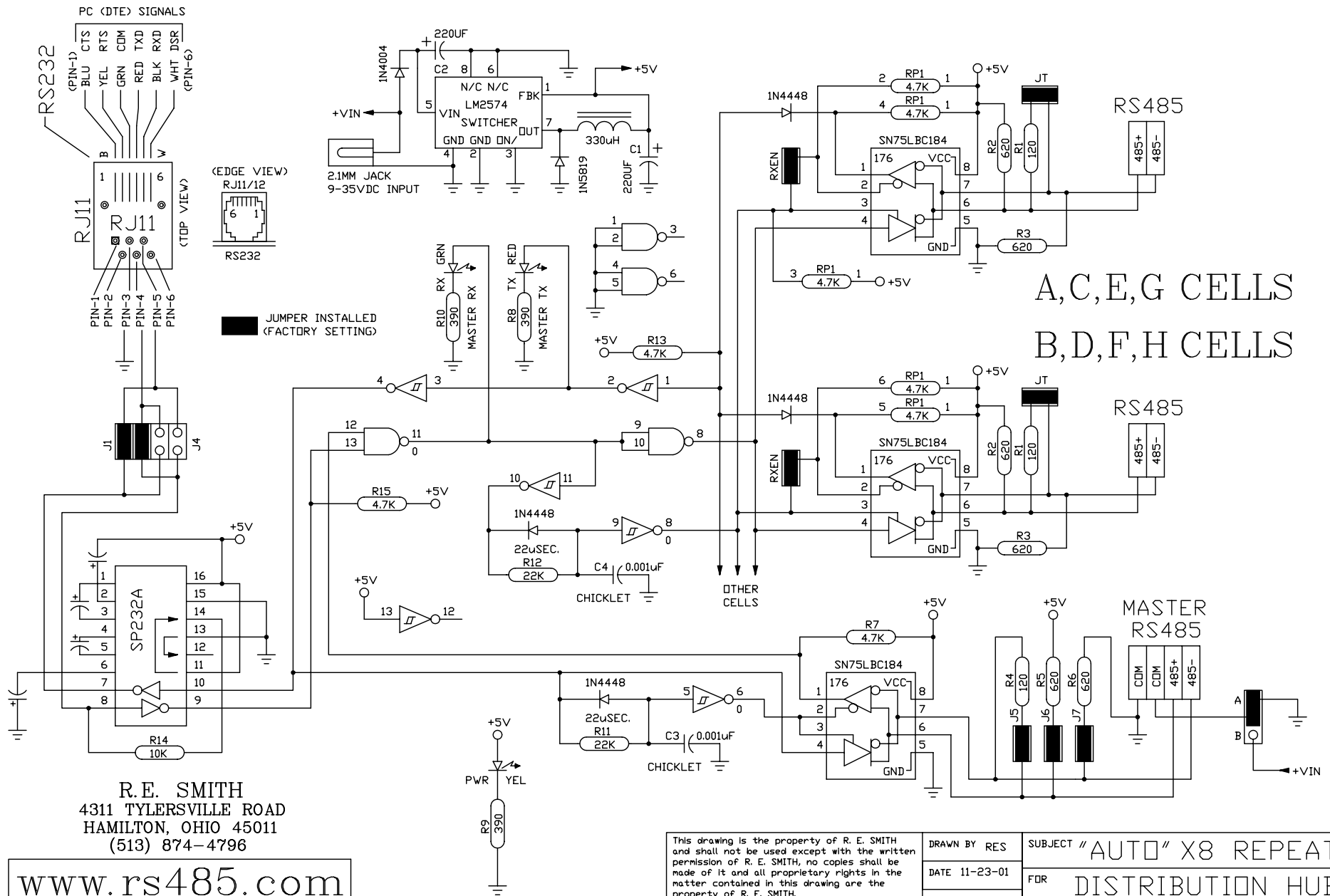


MODEL MHUBX8 NON-ISOLATED REPEATER HUB

RS232/RS485 MASTER PORTS & 8 RS485 DISTRIBUTION PORTS



This drawing is the property of R. E. SMITH and shall not be used except with the written permission of R. E. SMITH, no copies shall be made of it and all proprietary rights in the matter contained in this drawing are the property of R. E. SMITH. COPYRIGHT - R. E. SMITH, 2001		DRAWN BY RES	SUBJECT "AUTO" X8 REPEATER	
SHEET 1 OF 1		DATE 11-23-01	FOR DISTRIBUTION HUB	
MHUBX8		SCALE NONE	RES R. E. SMITH 4311 TYLERSVILLE RD. HAMILTON, OHIO 45011	
CHKD. BY RES		DWG. NO. MHUBX8		REV. A