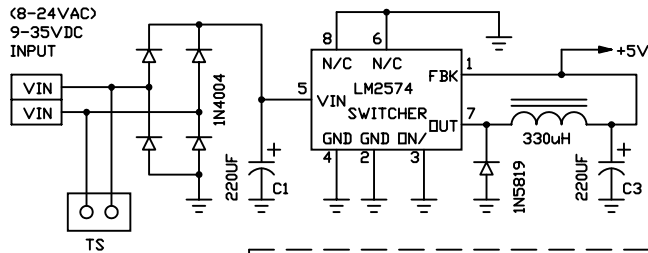
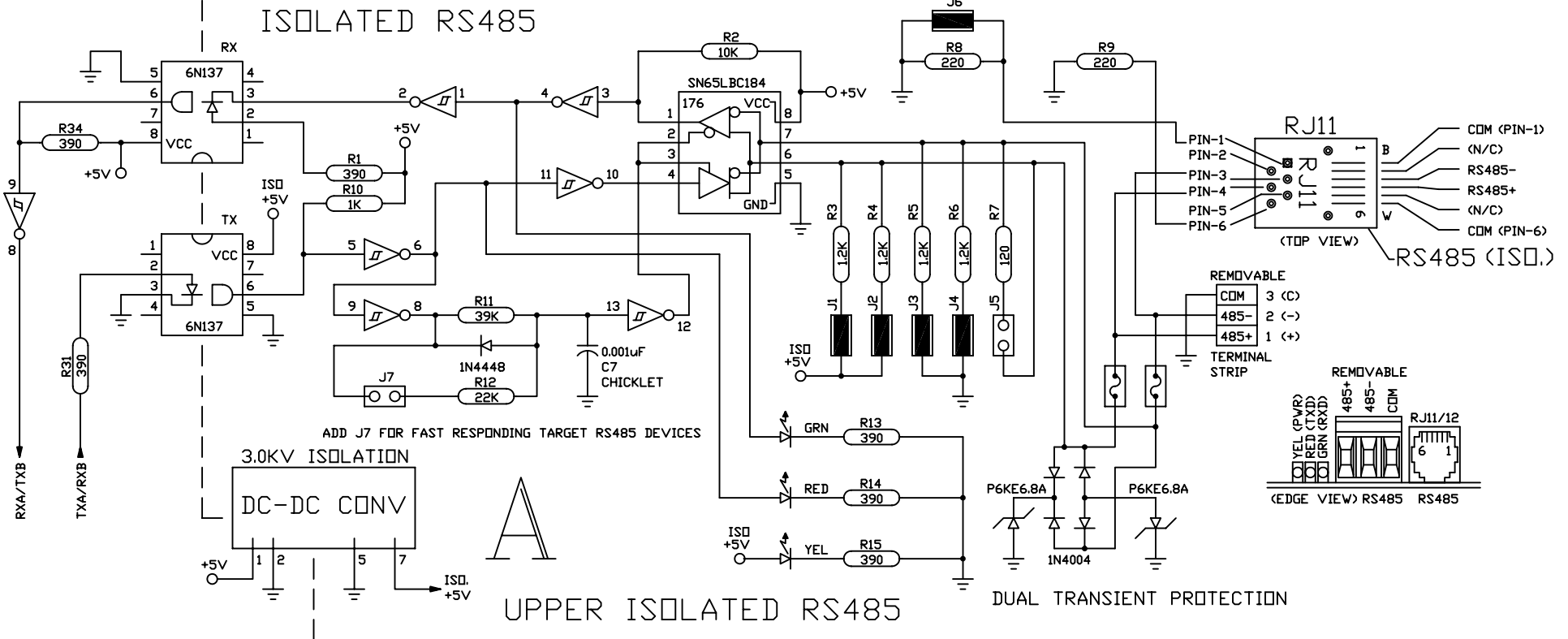


NOTE: CONNECT EITHER POLARITY TO INPUT



DUAL ISOLATED FAST AUTOMATIC REPEATER MODEL DIFAR44 REV. C



NOTE: USE THE + AND - TERMINALS TO CONNECT TO THE RS485 BUS/WIRES.
IT MAY BE NECESSARY TO REVERSE POLARITY FOR CORRECT PHASING.

NOTE: NO FUSES ON REV. B. UNITS
TERMINATION JUMPER J5 IS REMOVED

RESmith
WWW.RS485.COM
4311 R. E. Smith Drive, West Chester, Ohio 45069
513-874-4796

JUMPER INSTALLED
(FACTORY SETTING)

This drawing is the property of R. E. SMITH and shall not be used except with the written permission of R. E. SMITH, no copies shall be made of it and all proprietary rights in the matter contained in this drawing are the property of R. E. SMITH. COPYRIGHT - R. E. SMITH, 1998-2001		DRAWN BY RES	SUBJECT DUAL-ISO REPEATER	
DATE 10-14-01		FOR 3000VDC ISOLATED		
SCALE NONE		RES R. E. SMITH DWG. NO. DIFAR44A		
SHEET 1 OF 1		CHKD. BY RES		REV. C