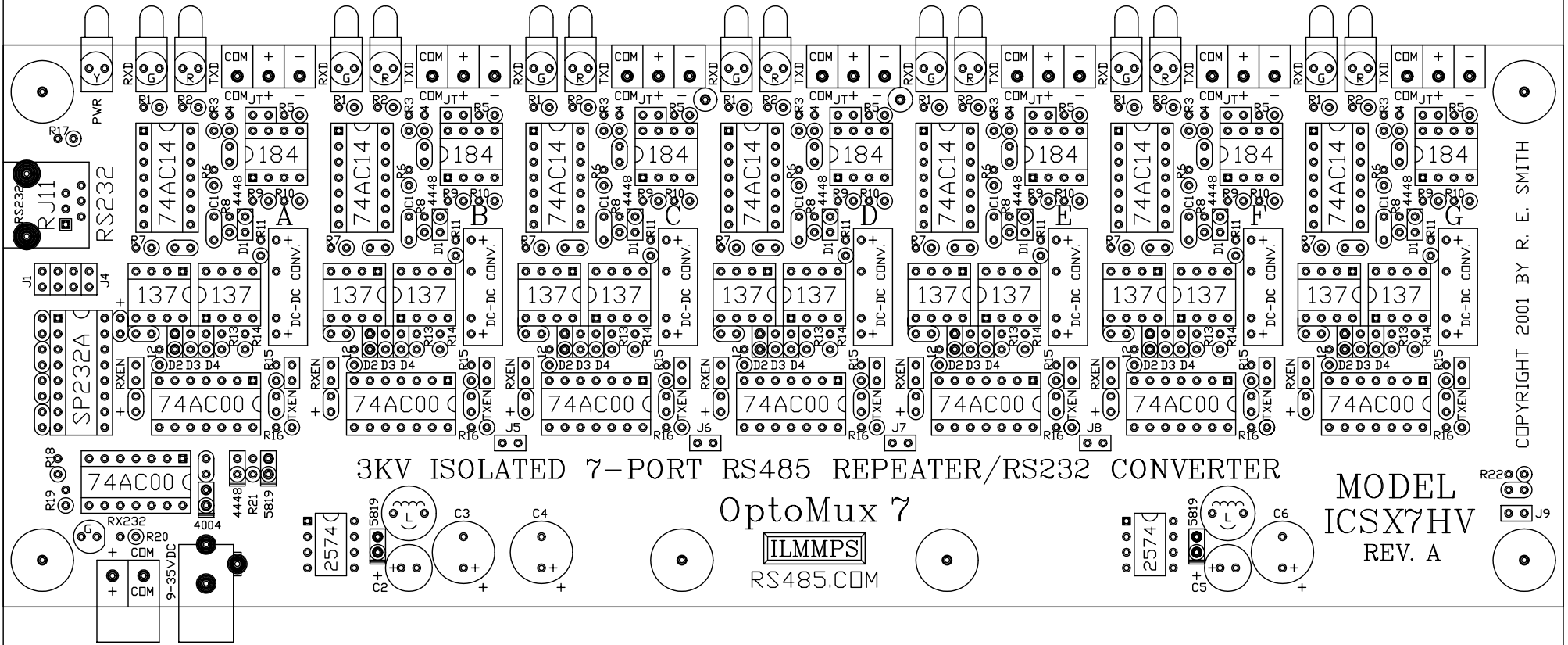


MODEL ICSX7HV REPEATER

BOARD SIZE: 10.10" X 3.65"



3KV ISOLATED 7-PORT RS485 REPEATER/RS232 CONVERTER

OptoMux 7



MODEL ICSX7HV
REV. A

COPYRIGHT 2001 BY R. E. SMITH

R. E. SMITH
4311 TYLERSVILLE ROAD
HAMILTON, OHIO 45011
(513) 874-4796

www.rs485.com

This drawing is the property of R. E. SMITH and shall not be used except with the written permission of R. E. SMITH, no copies shall be made of it and all proprietary rights in the matter contained in this drawing are the property of R. E. SMITH. COPYRIGHT - R. E. SMITH, 2001	DRAWN BY RES	SUBJECT "AUTO" X7 REPEATER	
	DATE 8-19-01	FOR 3000VDC ISOLATED	
SHEET 1 OF 1	SCALE NONE	CHKD. BY RES	REV. A
ICSX7HVSS	RES R. E. SMITH 4311 TYLERSVILLE RD. HAMILTON, OHIO 45011		DWG. NO. ICSX7HVSS