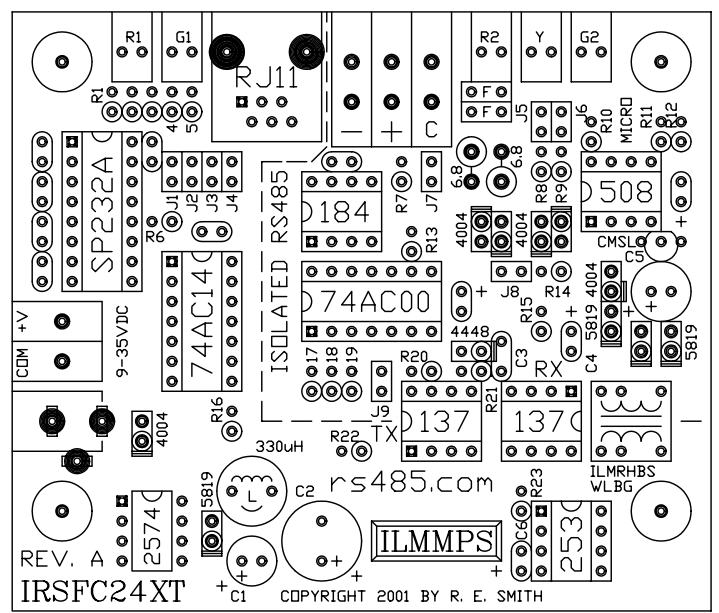
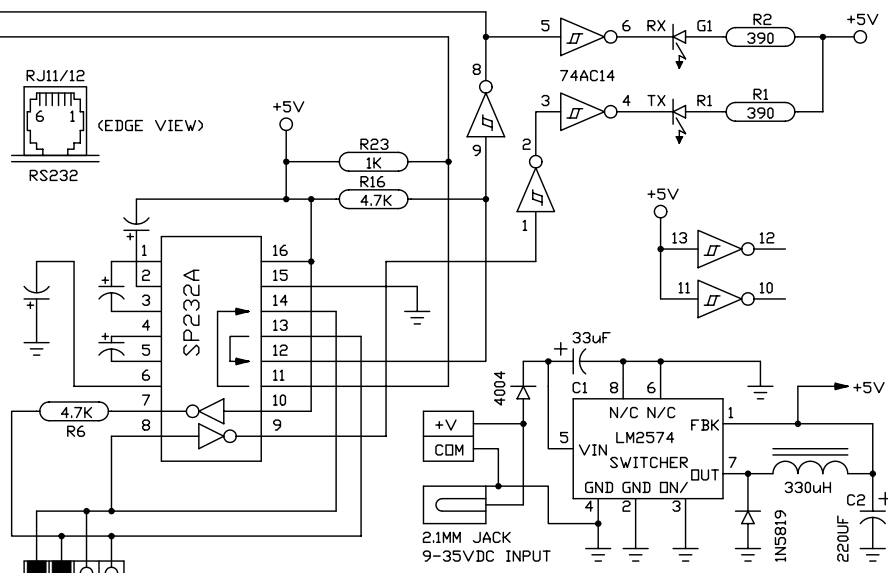
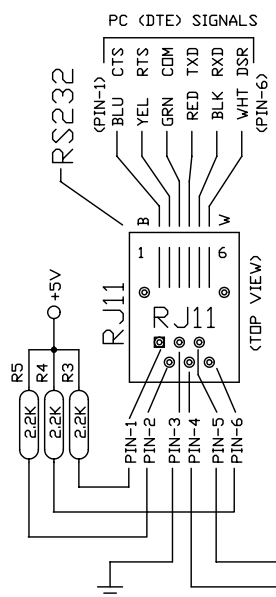
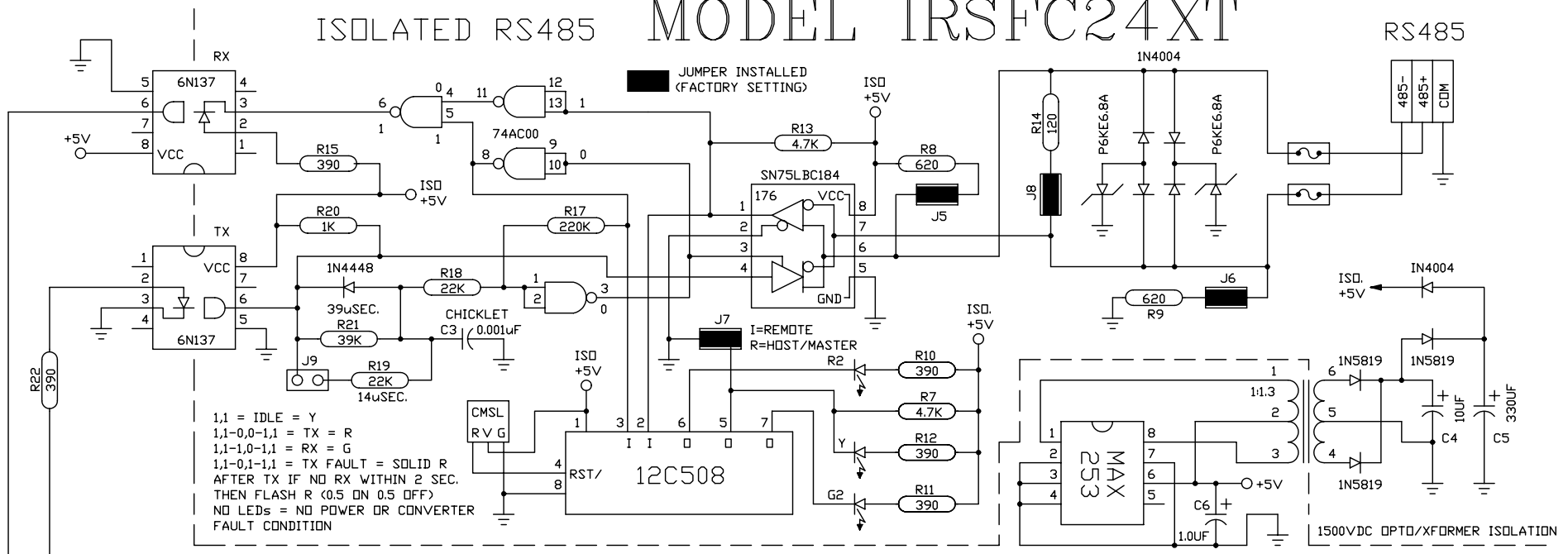


ISOLATED RS485 MODEL IRSFC24XT



R. E. SMITH
4311 TYLERSVILLE ROAD
HAMILTON, OHIO 45011
(513) 874-4796

www.rs485.com

NEW FEATURES: DUAL TRANSIENT PROTECTION, SCHMITT TRIGGER TIMING, SPEED-UP JUMPER, JUMPER SELECTABLE MASTER/REMOTE SOFTWARE, AND SCREW TERMINAL POWER CONNECTION.

This drawing is the property of R. E. SMITH and shall not be used except with the written permission of R. E. SMITH, no copies shall be made of it and all proprietary rights in the matter contained in this drawing are the property of R. E. SMITH. COPYRIGHT - R. E. SMITH, 2001		DRAWN BY RES	SUBJECT "AUTO" RS232/RS485	
DATE 7-21-01		FOR 1500VDC ISOLATED		
SCALE NONE		RES R. E. SMITH DWG. NO. 4311 TYLERSVILLE RD. HAMILTON, OHIO 45011		
SHEET 1 OF 1		CHKD. BY RES	IRSFC24XT B	