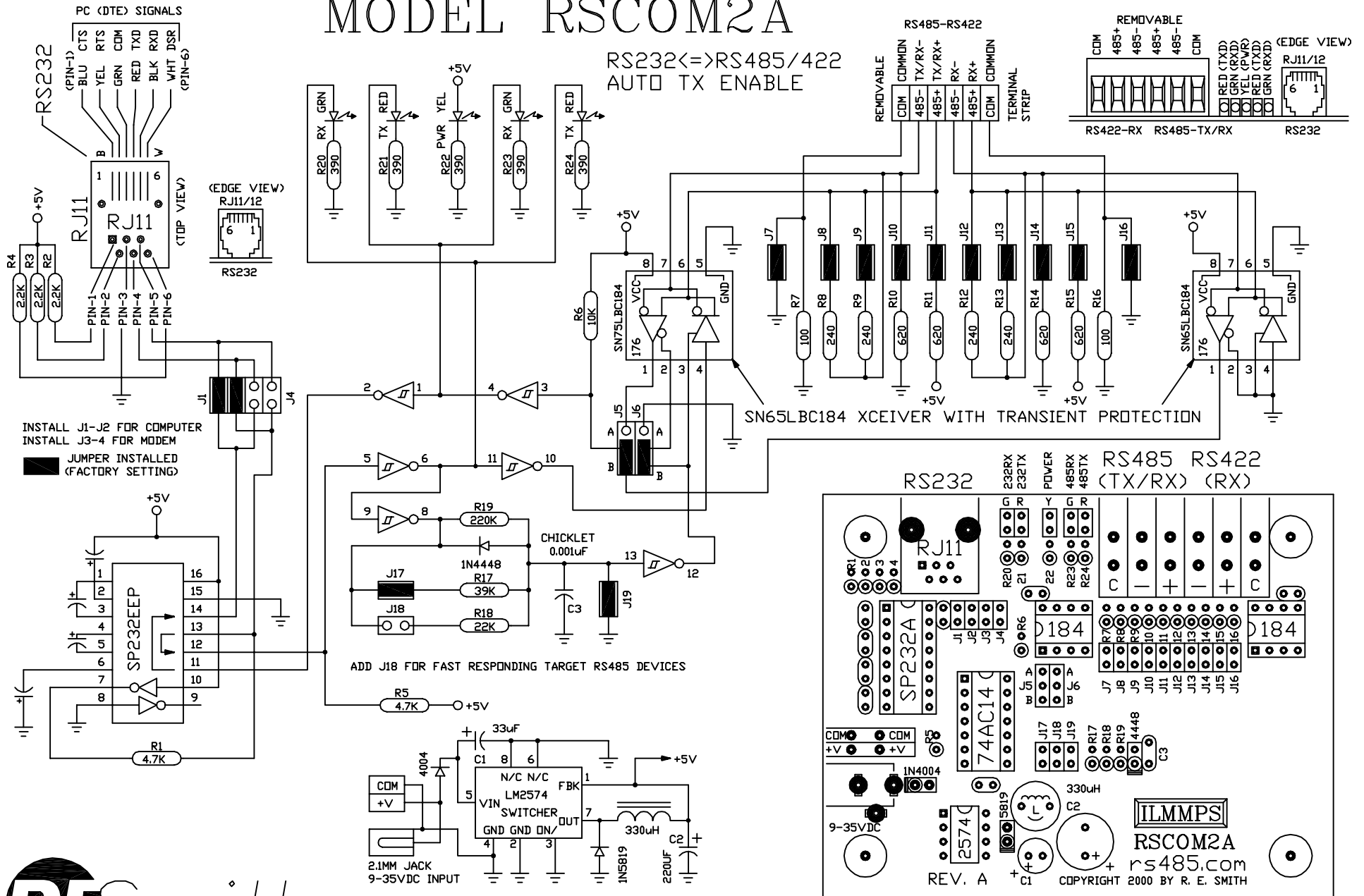


# MODEL RSCOM2A

RS232C<=>RS485/422  
AUTO TX ENABLE



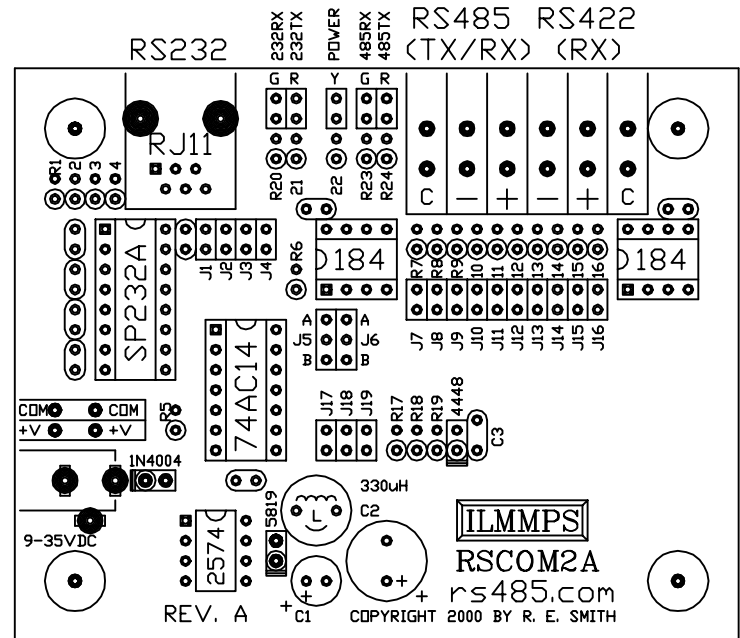
INSTALL J1-J2 FOR COMPUTER  
INSTALL J3-4 FOR MODEM  
JUMPER INSTALLED  
(FACTORY SETTING)

ADD J18 FOR FAST RESPONDING TARGET RS485 DEVICES

**RES**Smith  
WWW.RS485.COM  
10330 CHESTER ROAD, CINCINNATI, OHIO 45215  
513-874-4796

J5	J6	J19	MODE
B	B	I	RS422(4-WIRE) *
A	A	R	RS485(2-WIRE)
A	A	R	RS485(LOOP-BACK)
B	B	R	RS422(MULTIDROP)

A=INSTALL A, B=INSTALL B, I=INSTALL  
R=REMOVE, \*=FACTORY DEFAULT SETTING



M1 = 3.50" X 2.75" LINK: rs485.com/prscom2a.html

This drawing is the property of R. E. SMITH and shall not be used except with the written permission of R. E. SMITH. No copies shall be made of it and all proprietary rights in the matter contained in this drawing are the property of R. E. SMITH. COPYRIGHT - R. E. SMITH, 1999-2013		DRAWN BY RES	SUBJECT "AUTO" RS232/RS485	
DATE 2-28-00 REV 9-19-13		FOR 2-WIRE OR 4-WIRE		
SCALE NONE		RES R. E. SMITH 10330 CHESTER ROAD CINCINNATI, OH 45215		
SHEET 1 OF 1	RSCOM2A	CHKD. BY RES	DWG. NO. RSCOM2A	REV. A