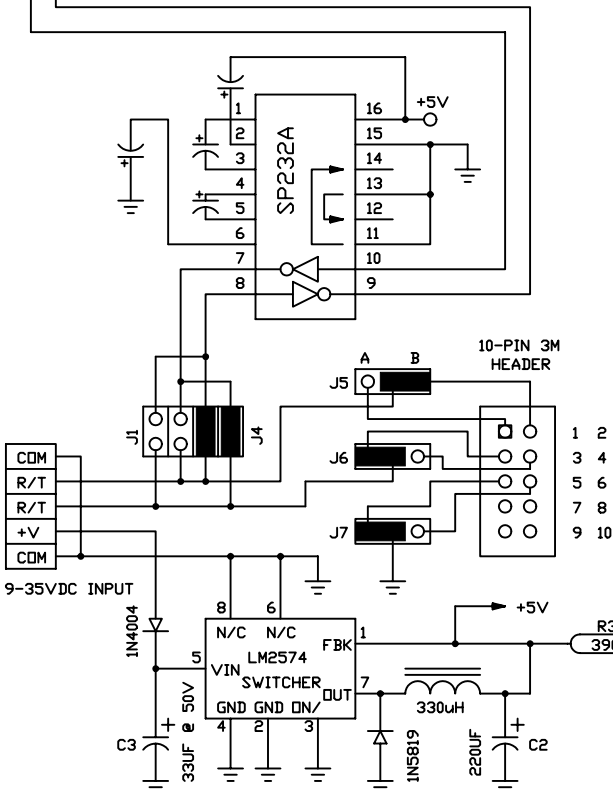
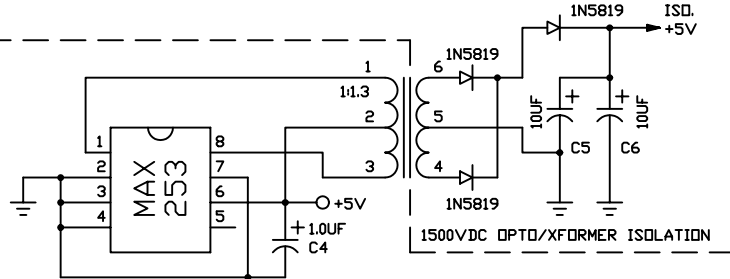
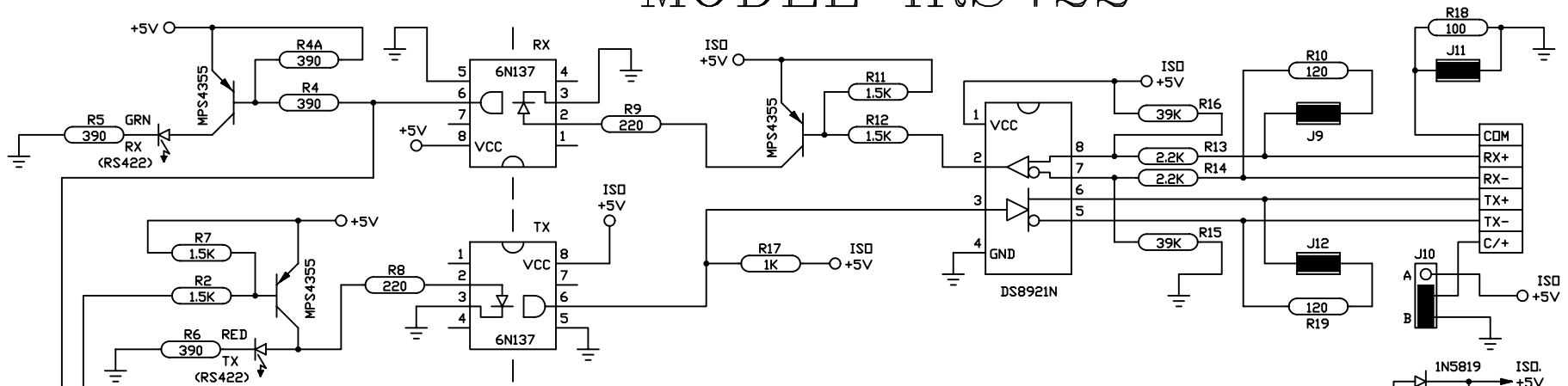


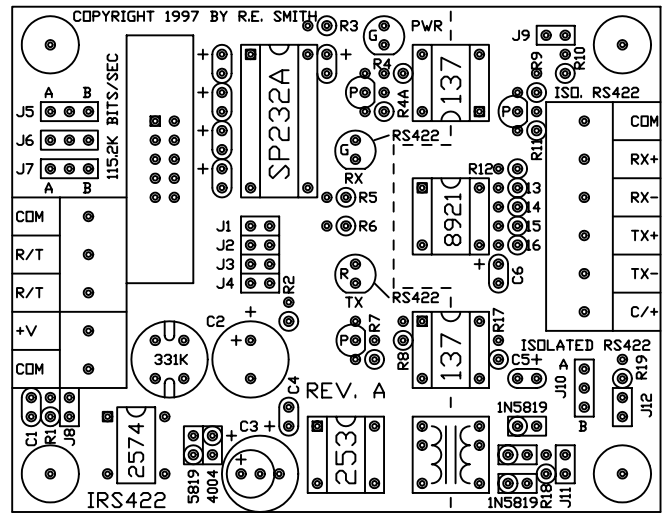
# MODEL IRS422

## ISOLATED RS422

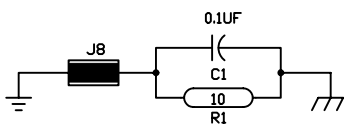


■ JUMPER INSTALLED (FACTORY SETTING)

R. E. SMITH  
4311 TYLERSVILLE ROAD  
HAMILTON, OHIO 45011  
(513) 874-4796



ACTUAL SIZE (1:1)



This drawing is the property of R. E. SMITH and shall not be used except with the written permission of R. E. SMITH, no copies shall be made of it and all proprietary rights in the matter contained in this drawing are the property of R. E. SMITH. COPYRIGHT - R. E. SMITH, 1997		DRAWN BY RES	SUBJECT RS232/RS422	
SHEET 1 OF 1		DATE 1-25-97	FOR 1500VDC ISOLATED	
IRS422		SCALE NONE	REV. A	
CHKD. BY RES		R. E. SMITH 4311 TYLERSVILLE RD. HAMILTON, OHIO 45011		DWG. NO. IRS422