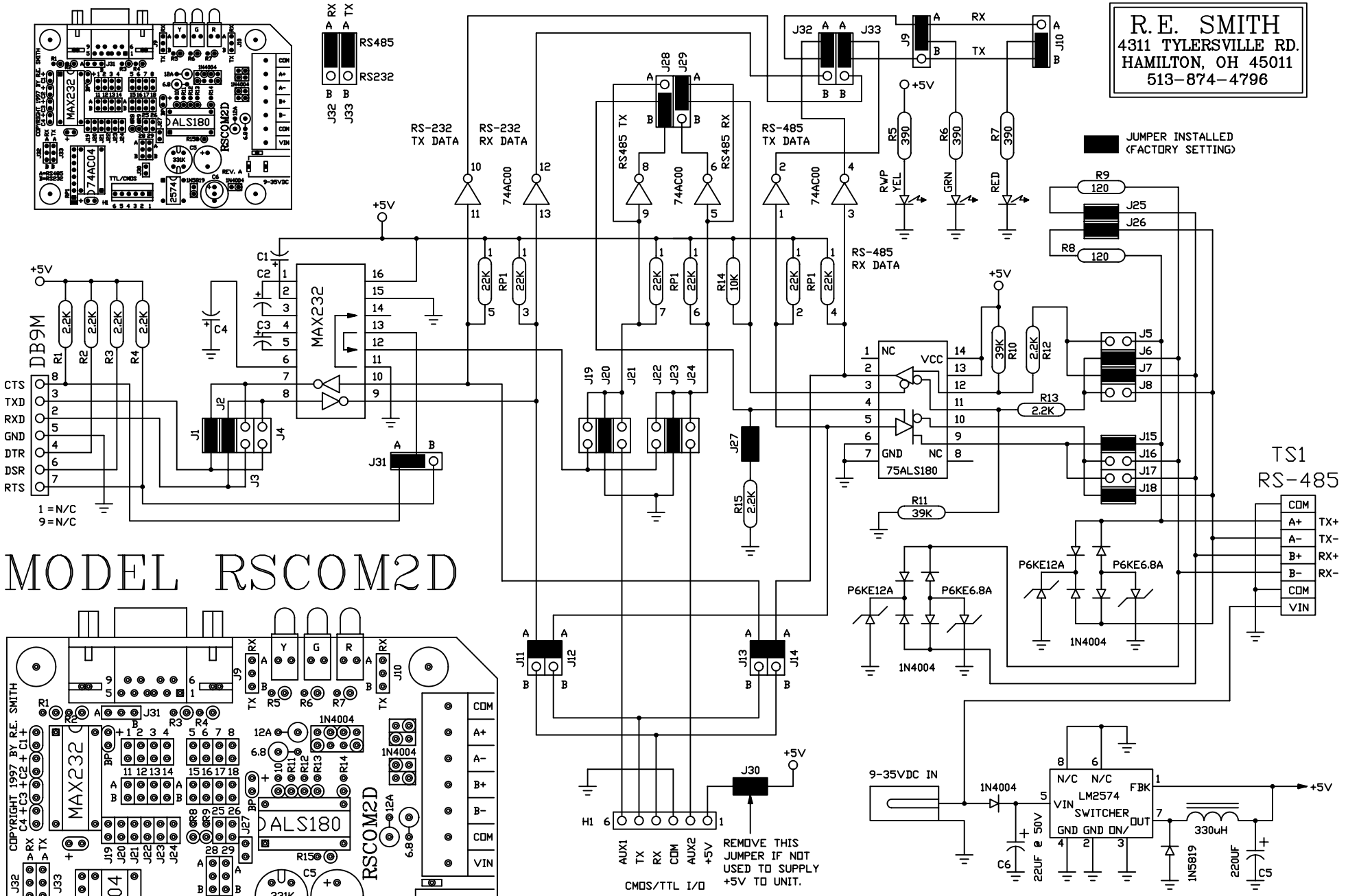
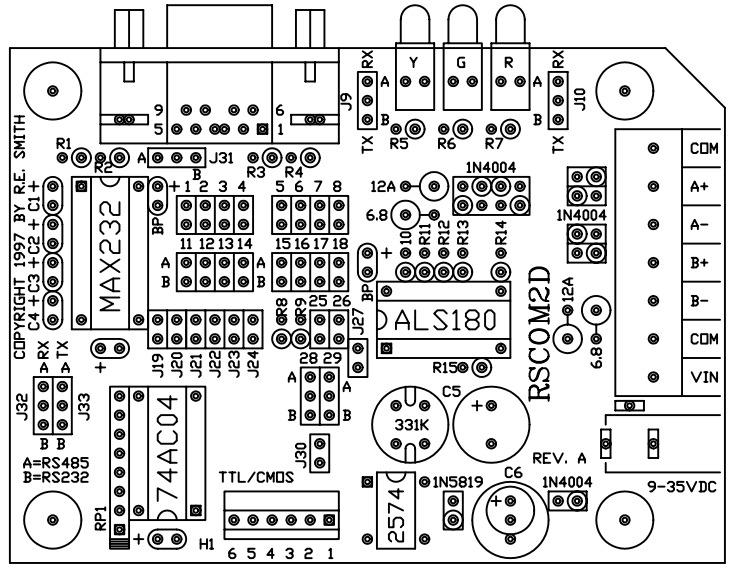


R. E. SMITH
 4311 TYLERSVILLE RD.
 HAMILTON, OH 45011
 513-874-4796



MODEL RSCOM2D



ACTUAL
 SIZE (1:1)

This drawing is the property of R. E. SMITH and shall not be used except with the written permission of R. E. SMITH, no copies shall be made of it and all proprietary rights in the matter contained in this drawing are the property of R. E. SMITH.		DRAWN BY RES		SUBJECT RS232/RS485/TTL	
COPYRIGHT - R. E. SMITH, 1997		DATE 5-10-97		FOR COMM CONVERSION	
SHEET 1 OF 1		RSCOM2D		RES R. E. SMITH 4311 TYLERSVILLE RD. HAMILTON, OH 45011	
		CHKD. BY RES		DWG. NO. RSCOM2D	
				REV. A	