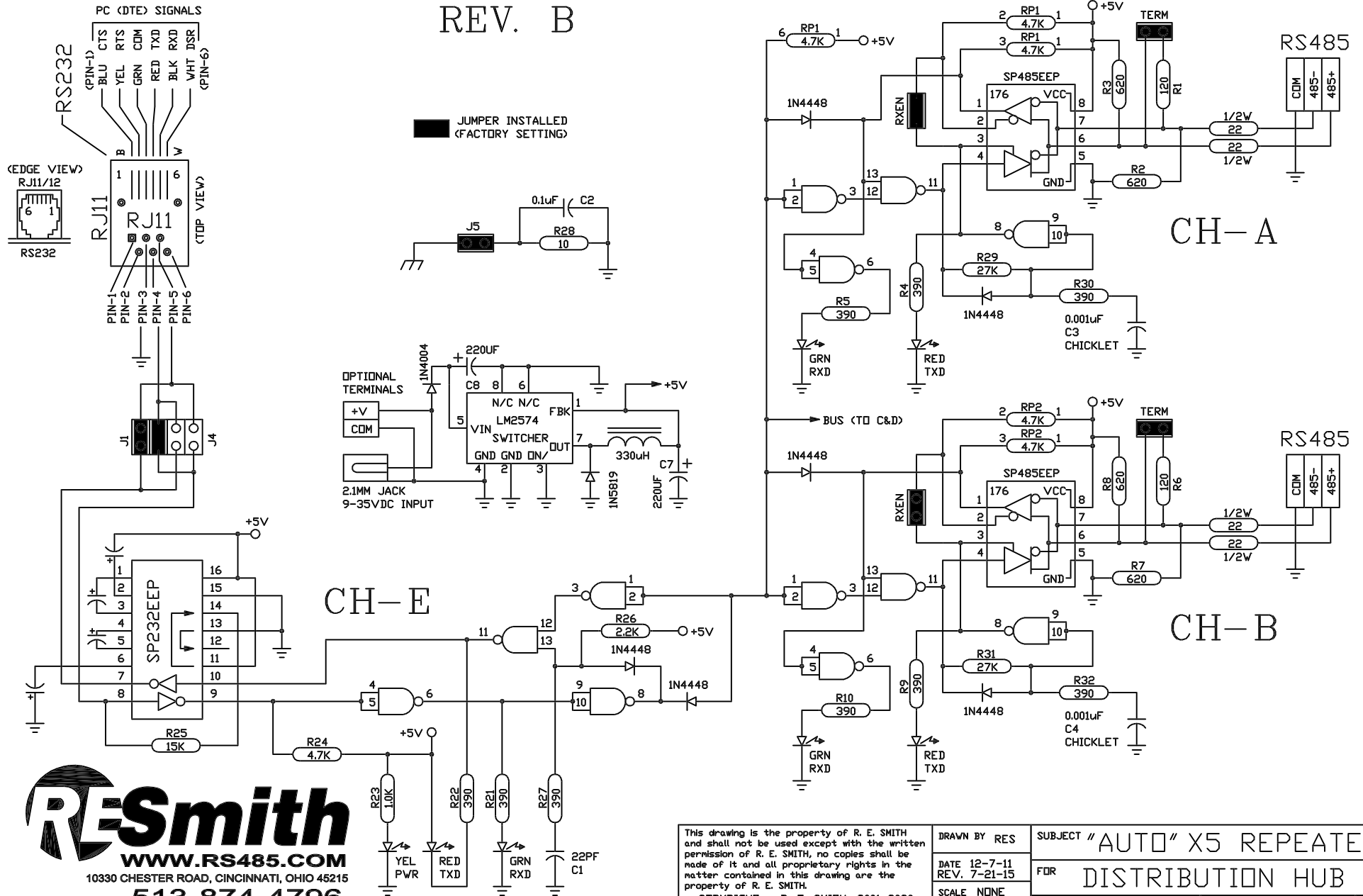


# RS485HUB NON-ISOLATED REPEATER HUB

## 4-RS485 & 1-RS232 PORTS FOR HALF-DUPLEX COMMUNICATIONS

REV. B



**RESmith**  
 WWW.RS485.COM  
 10330 CHESTER ROAD, CINCINNATI, OHIO 45215  
 513-874-4796

This drawing is the property of R. E. SMITH and shall not be used except with the written permission of R. E. SMITH, no copies shall be made of it and all proprietary rights in the matter contained in this drawing are the property of R. E. SMITH.		DRAWN BY RES		SUBJECT "AUTO" X5 REPEATER	
DATE 12-7-11 REV. 7-21-15		SCALE NONE		FOR DISTRIBUTION HUB	
COPYRIGHT - R. E. SMITH, 2001-2020		SHEET 1 OF 1		RES R. E. SMITH 10330 CHESTER ROAD CINCINNATI, OH 45215	
RS485HUB		CHKD. BY RES		DVG. NO. RS485HUB	
				REV. B	