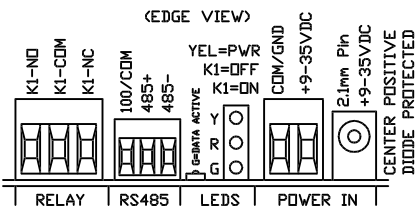


RS485 WATCH DOG TIMER



TYP. RESET PULSE TIME (85% VALUE)

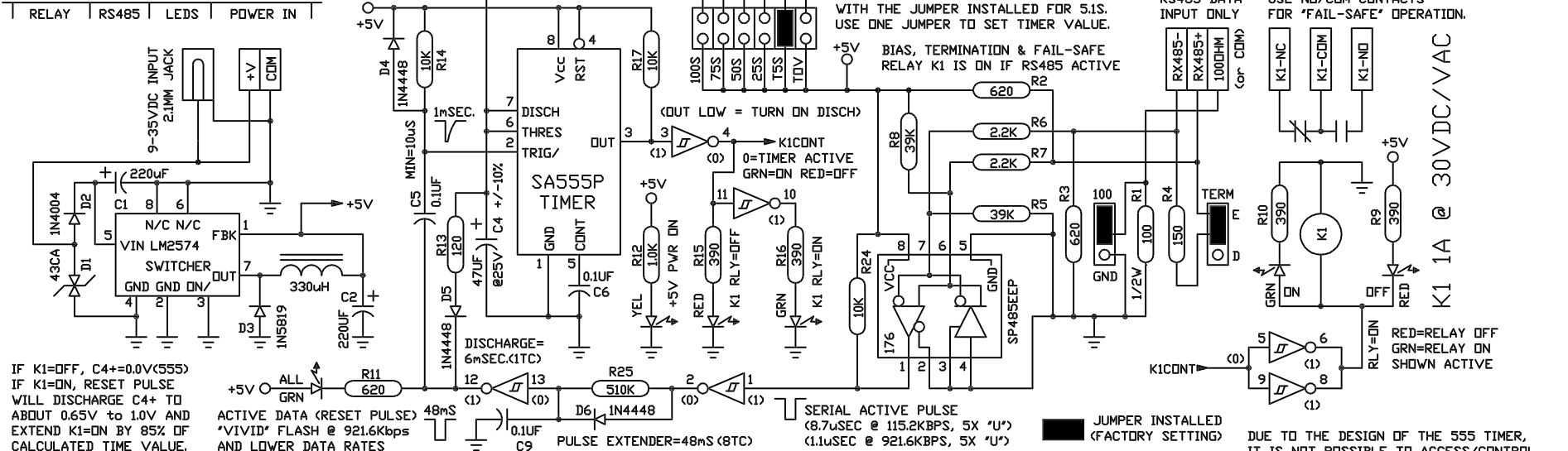
JUMPER LOC.	
100S	97S
75S	79S
50S	53S
25S	27S
T5S	53S
TDV	440S

CALCULATED TIME VALUES (100%)

R18=2.2MX47uFX1.1=114SEC.
R19=1.8MX47uFX1.1=93SEC.
R20=1.2MX47uFX1.1=62SEC.
R21=620KX47uFX1.1=32SEC.
R22=120KX47uFX1.1=6.2SEC.
R23=10.0MX47uFX1.1=517SEC.

USER TOV(TIME OUT VALUE) CAN BE INSTALLED FOR R23. THIS SHOULD BE A 1/4W 5% RESISTOR IN THE RANGE OF 10K TO 10M. TO CALCULATE THE TIME DELAY USE: $T = R \times 47uF \times 1.1$. THE ACCURACY OF THE TIME DELAY IS APPROX. +/- 20%. IF A 1% RESISTOR IS USED THE ACCURACY CAN BE IMPROVED. UNITS ARE SHIPPED WITH THE JUMPER INSTALLED FOR 5.1S. USE ONE JUMPER TO SET TIMER VALUE.

IMPORTANT NOTE: ON PWR UP RELAY K1=OFF. CALCULATED TIME IS "ACCURATE" WHEN A "TRIGGER PULSE IS RECEIVED. WHEN K1=ON A "KEEP ALIVE" PULSE CAN REDUCE THIS DELAY BY UP TO 20%, IN ADDITION TO THE COMPONENT TOLERANCES OF 20% (0.0V vs 0.65V+).



IF K1=OFF, C4+=0.0V(55S)
IF K1=ON, RESET PULSE WILL DISCHARGE C4+ TO ABOUT 0.65V TO 1.0V AND EXTEND K1=ON BY 85% OF CALCULATED TIME VALUE.

ACTIVE DATA (RESET PULSE) "VIVID" FLASH @ 921.6Kbps AND LOWER DATA RATES

PULSE EXTENDER=48mS (8TC)

SERIAL ACTIVE PULSE (8.7uSEC @ 115.2KBPS, 5X "U") (1.1uSEC @ 921.6KBPS, 5X "U")

■ JUMPER INSTALLED (FACTORY SETTING)

DUE TO THE DESIGN OF THE 555 TIMER, IT IS NOT POSSIBLE TO ACCESS/CONTROL THE INTERNAL RESET CIRCUITRY, THAT IS CAPABLE OF DISCHARGING THE TIMING CAPACITOR (C4, 47uF) TO 0.0V. IF OUTPUT RETURNS TO ZERO, DISCHARGE OCCURS & THE TRIGGER INPUT IS ACTIVE AGAIN.

LINK: rs485.com/prs485wdt.html/
BOARD SIZE: 3.50" X 2.75"

SPECIFICATIONS, FEATURES & DESIGN NOTES:

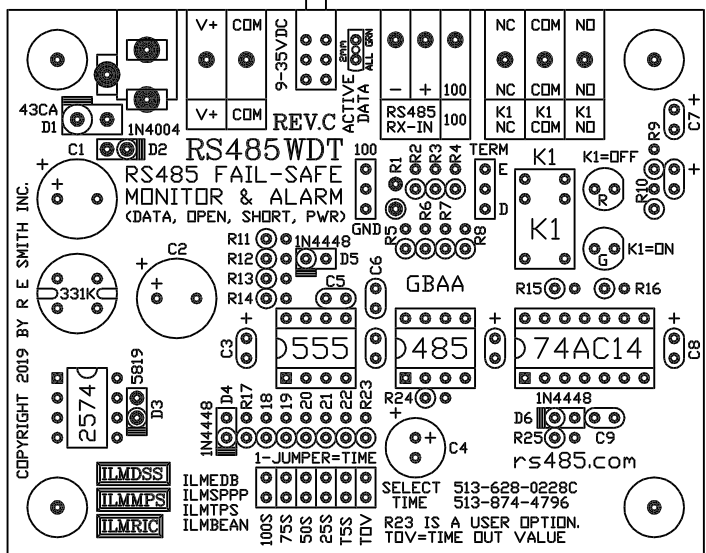
- 1) 9-35VDC INPUT V RANGE, -40 to 85C OPERATION 10% to 90% RH, NON CONDENSING, FAIL-SAFE MODE, LOW PWR, INDUSTRIAL LOGIC UWDT485 REPLACEMENT.
- 2) RS485 RESET @ ANY DATA RATE, WITH ACTIVE DATA "PULSE ENHANCED" GRN LED INDICATOR, DETECTION OF DATA LOSS, OPEN/SHORTED RS485 INPUT, PWR LOSS.
- 3) +/-20% ACCURACY WITH 5 JUMPER SELECTABLE TIMES OF 100S, 75S, 50S, 25S, T5S, AS WELL AS A USER TOV VALUE FOR A TIME DELAY SETTING OF 1-440 SEC.
- 4) RS485 BIAS, TERMINATION JUMPER & 100 OHMS TO COMMON/GROUND SHUNT JUMPER SELECTION.
- 5) FORM-C 1-AMP, 30-VOLT(AC/DC) RELAY CONTACTS, WITH GREEN LED(S) FOR K1=ON, OR RED LED(S) FOR K1=OFF (FAULT/ERROR) & YELLOW PWR LED.
- 6) CALL FOR ADDITIONAL INFORMATION, MANUAL SOON.
- 7) OPTIONAL ENCLOSURE & POWER SUPPLY AVAILABLE.

CALL RON @ 513-638-0228 FOR TECHNICAL SUPPORT

MODEL RS485WDT REV C



WWW.RS485.COM
10330 CHESTER ROAD, CINCINNATI, OHIO 45215
513-874-4796



RS485WDT ONLY \$69.00ea.
WITH ENCLOSURE \$79.00ea.
12V POWER SUPPLY \$8.50ea.
CONFORMAL COATING \$35.00
NO SOCKETS OR JUMPERS
CALL FOR OPTIONS

This drawing is the property of R. E. SMITH and shall not be used except with the written permission of R. E. SMITH, no copies shall be made of it and all proprietary rights in the matter contained in this drawing are the property of R. E. SMITH. COPYRIGHT - R. E. SMITH, 1997-2019		DRAWN BY RES	SUBJECT MODEL RS485WDT
DATE 10-14-19 REV 10-26-19		SCALE NONE	FOR WATCH DOG TIMER
SHEET 1 OF 1	RS485WDT	CHKD. BY RES	RES R. E. SMITH 10330 CHESTER ROAD CINCINNATI, OH 45215 DVG. NO. RS485WDT REV. C