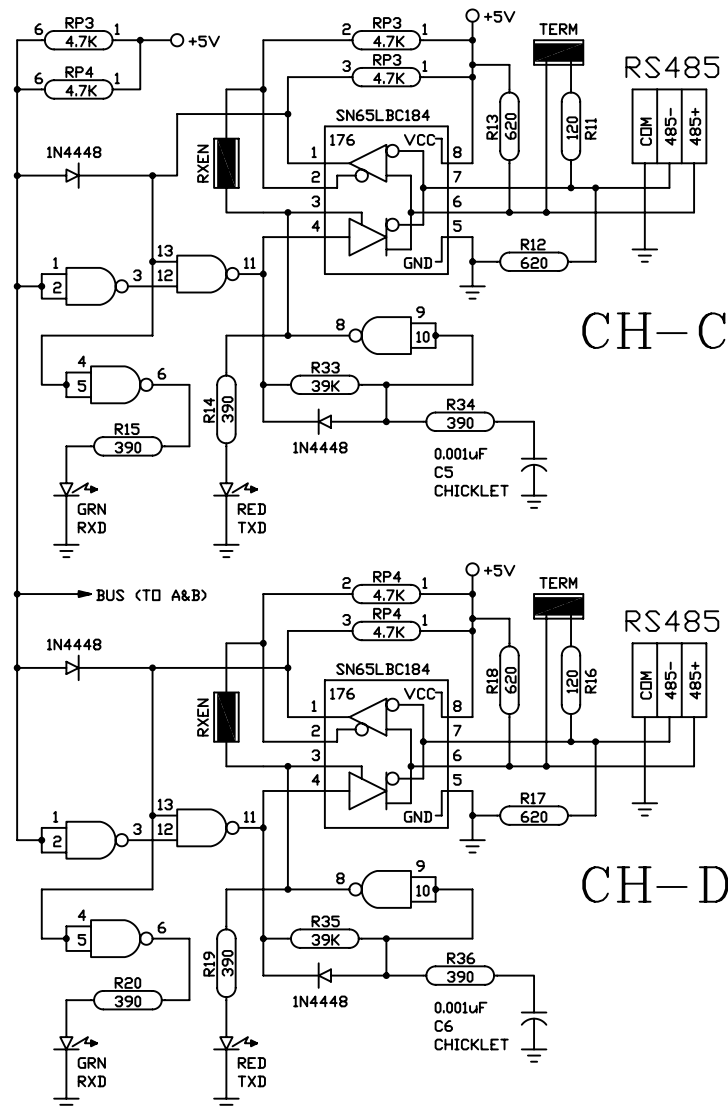
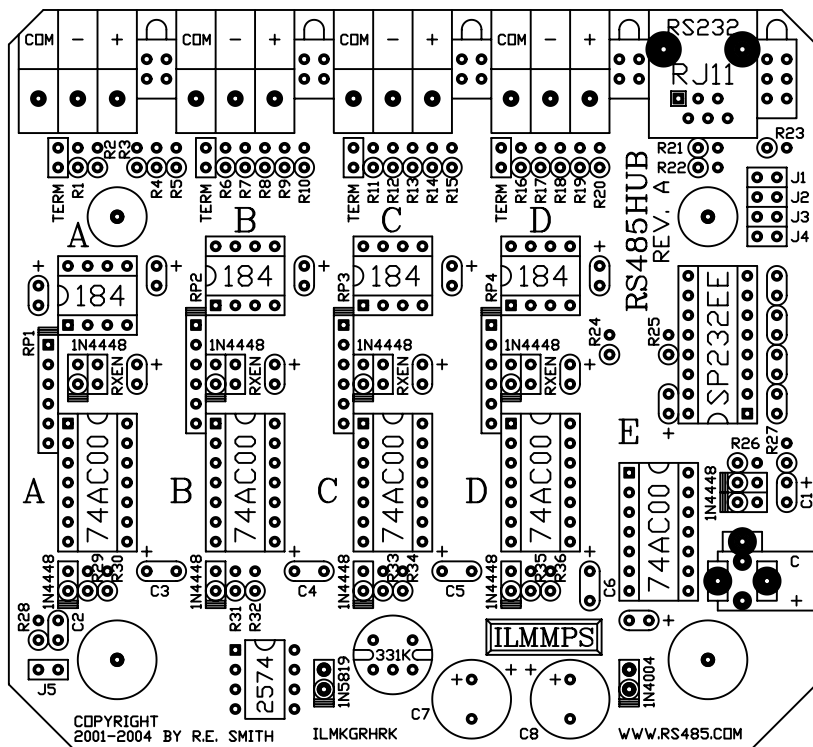


RS485HUB NON-ISOLATED REPEATER HUB

4-RS485 & 1-RS232 PORTS FOR HALF-DUPLEX COMMUNICATIONS

REV. A



 JUMPER INSTALLED
(FACTORY SETTING)

RESmith
WWW.RS485.COM

4311 R. E. Smith Drive, Hamilton, Ohio 45011

513-874-4796

This drawing is the property of R. E. SMITH and shall not be used except with the written permission of R. E. SMITH, no copies shall be made of it and all proprietary rights in the matter contained in this drawing are the property of R. E. SMITH.
COPYRIGHT - R. E. SMITH, 2001-2004

SHEET 1 OF 1

RS485HCD

DRAWN BY RES

DATE 11-21-04

SCALE NONE

CHKD. BY RES

SUBJECT "AUTO" X5 REPEATER

FOR DISTRIBUTION HUB

RES R. E. SMITH
4311 R. E. SMITH DRIVE
HAMILTON, OHIO 45011

DWG. NO. RS485HCD
REV. A